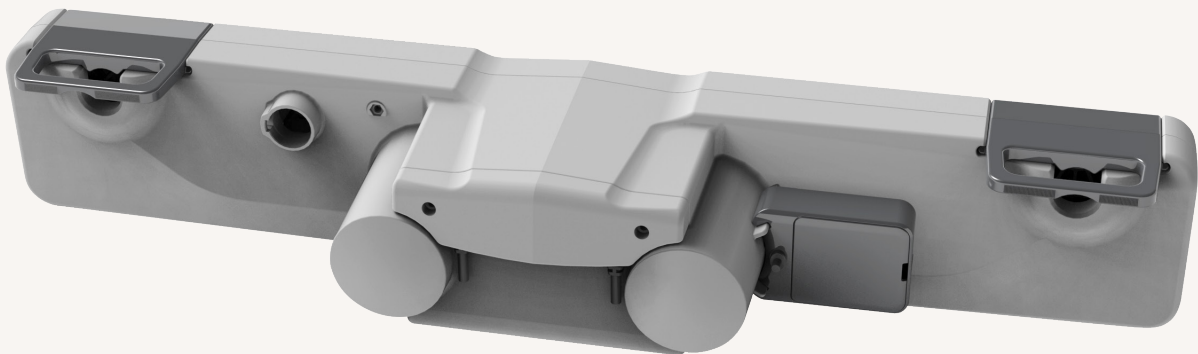


TT1

series



Product Segments

- **Care Motion**

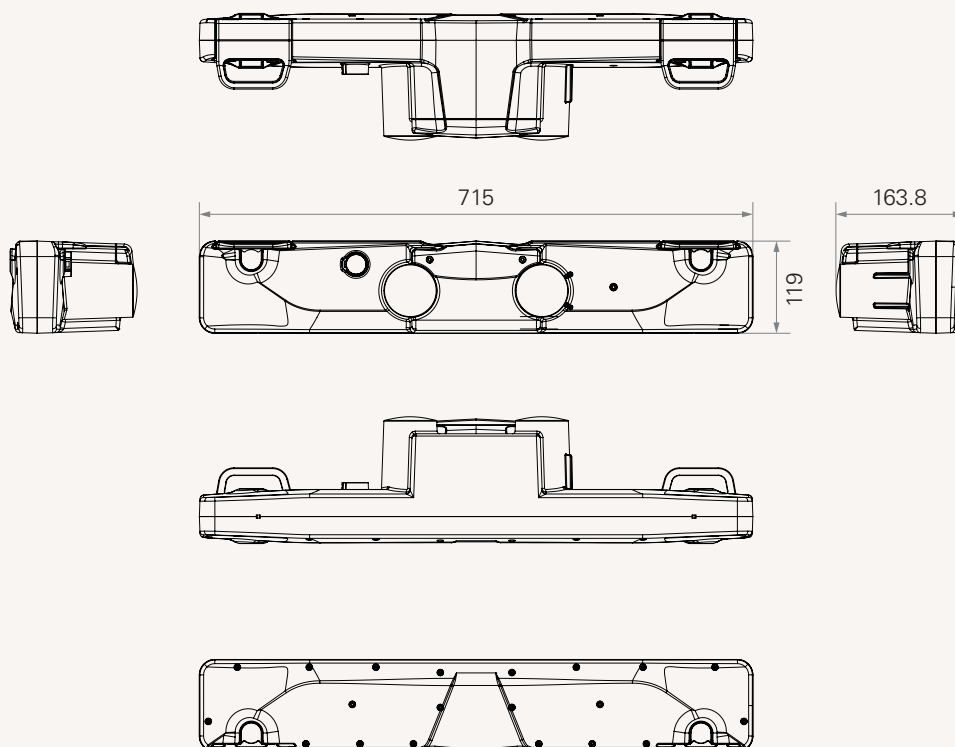
TT1 is one of our actuator solutions especially designed for nursing home beds. The TT1 is equipped with SMPS and has less than 0.1W standby power consumption. Its sophisticated housing design with reliable mechanical stability provides an alternative motor for a medical bed.

General Features

Main voltage	100~240V AC (input); SMPS 29V DC, 2.5A (output)
Maximum load	6,000N in push only
Dimension between shaft	581mm
Maximum speed	6.8mm/s
Stroke	87mm for backrest; 69mm for footrest

Drawing

Standard Dimension



Load and Speed

CODE	Rated Load		Typical Current at Rated Load (A)	Typical Speed	
	PUSH N	PULL N		No Load (32V DC) mm/s	Rated Load (24V DC) mm/s
B	6000	0	3.5	6.8	4.6

Motor Speed (2600RPM)

Terms of Use

The user is responsible for determining the suitability of TiMOTION products for a specific application.

Due to continuous development in order to improve our products, TiMOTION products are subject to frequent modifications and changes without prior notice.

TiMOTION reserves the right to discontinue the sale of any products displayed on its website or listed in its catalogue or other written materials drawn up by TiMOTION.

TT1 Ordering Key

TT1

Version: 20140107-A

<input type="checkbox"/>	Voltage	4 = 100~240V AC		
<input type="checkbox"/>	Motor	2 = 24V		
<input type="checkbox"/>	Load and Speed	See appendix		
<input type="checkbox"/>	Plug	1 = EU 2 = US	3 = AUS 4 = UK	5 = JPN A = Others
<input type="checkbox"/>	Axle Dimension	1 = 25mm Note : axle distance 581mm	2 = 35mm	
<input type="checkbox"/>	Stroke	1 = Back rest 87mm, leg rest 69mm		
<input type="checkbox"/>	Color	2 = Grey (Pantone 428C)		
<input type="checkbox"/>	IP Protection	1 = Without	2 = IP54	
		Note : please follow TiMOTION standard installation		
<input type="checkbox"/>	Quick Release	0 = Without	1 = With dry batteries box	2 = With rechargeable batteries box
<input type="checkbox"/>	Output Signals	0 = Without		
<input type="checkbox"/>	Extra Channels for Motors	0 = 0	1 = 1	2 = 2
<input type="checkbox"/>	Extra Channels for Handsets	1 = 1	2 = 2	
<input type="checkbox"/>	Cable Length	0 = Straight, 2000mm	1 = Straight, 4000mm	A = Customized
<input type="checkbox"/>	Ground Pin	0 = Without	1 = With	
<input type="checkbox"/>	Transformer Type	2 = SMPS (2.5A)		