

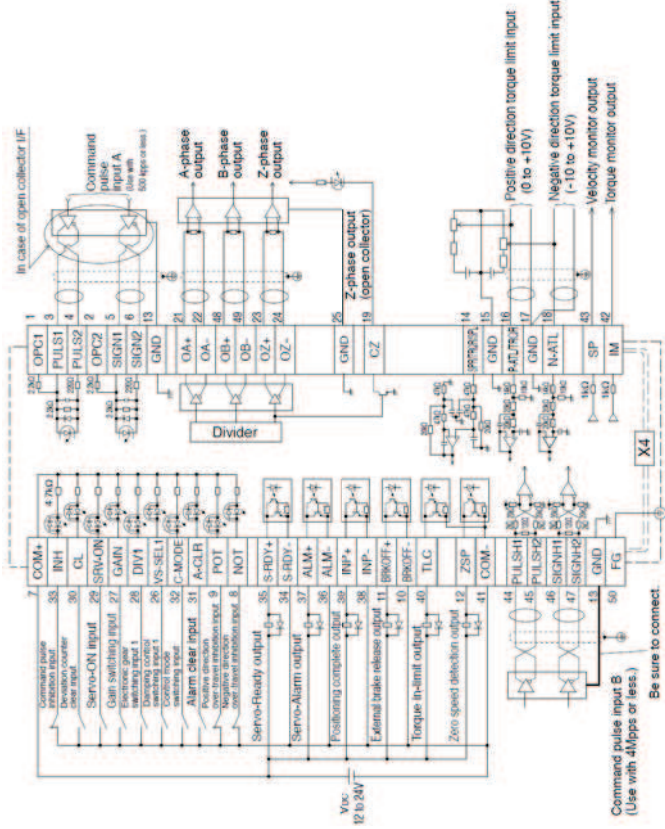
# IO Interface Cable

1 axis, 50-pin IO connector to loose wires, length 2m



CN Pin	Pair	Signal	Wire Color
1		OPC1	white
2		OPC2	brown
3		PULS1	green
4		PULS2	yellow
5		SIGN1	grey
6		SIGN2	pink
41		COM -	blue
7		COM +	red
10		BRKOFF -	black
11		BRKOFF +	violet
8		NOT	grey-pink
9		POT	red-blue
15		GND	white-green
14		SPR/TRQ/SP	brown-green
17		GND	white-yellow
16		P-A TL/TRQR	yellow-brown
17		GND	white-grey
18		N-ATL	grey-brown
19		CZ	white-pink
25		GND	pink-brown
21		OA +	white-blue
22		OA -	brown-blue
23		OZ +	white-red
24		OZ -	brown-red
13		GND	white-black

CN Pin	Pair	Signal	Wire Color
26	14	VS-SEL 1	grey-green
27		GAIN	yellow-grey
28		DIV 1	pink-green
29		SRV-ON	yellow-pink
30		CL	green-blue
31		A-CLR	yellow-blue
32		C-MODE	green-red
33		INH	yellow-red
34		S-RDY -	green-black
35		S-RDY +	yellow-black
36		ALM -	grey-blue
37		ALM +	pink-blue
38		INP -	grey-red
39		INP +	pink-red
40		TLC	grey-black
12	21	ZSP	pink-black
42		IM	blue-black
43		SP	red-black
44		PULSH1	white
45		PULSH2	brown
46		SIGNH1	green
47		SIGNH2	yellow
48		OB +	grey
49		OB -	pink
13	13	GND	brown-black



Wiring example: MINAS A5 Position Control Mode

## Specification Sheet

Product Number	Leaflet	
DVOP4360		
Version	Date	designed by
0.10	2007-04-27	Aicher
1.00	2008-01-16	Aicher
1.01	2011-03-10	Millauer
1.02	2011-05-02	Millauer

**Remarks:**

- This cable is designed for MINAS A/A4/A5 servo drivers.
- The wire colors in the table above correspond to DIN 47100. The signals correspond to MINAS A5 CN X4.
- Ensure an applicable connection of the cable shield to EMC ground.
- For further information, please refer to the corresponding manual.